


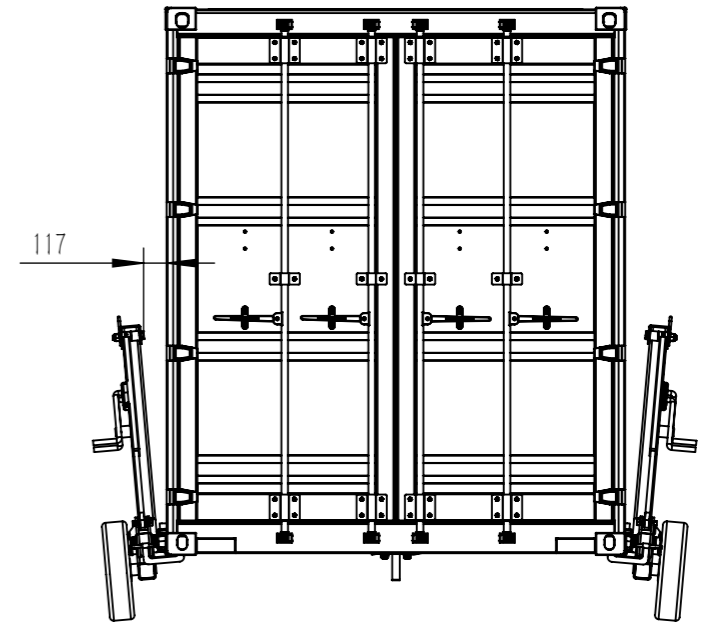
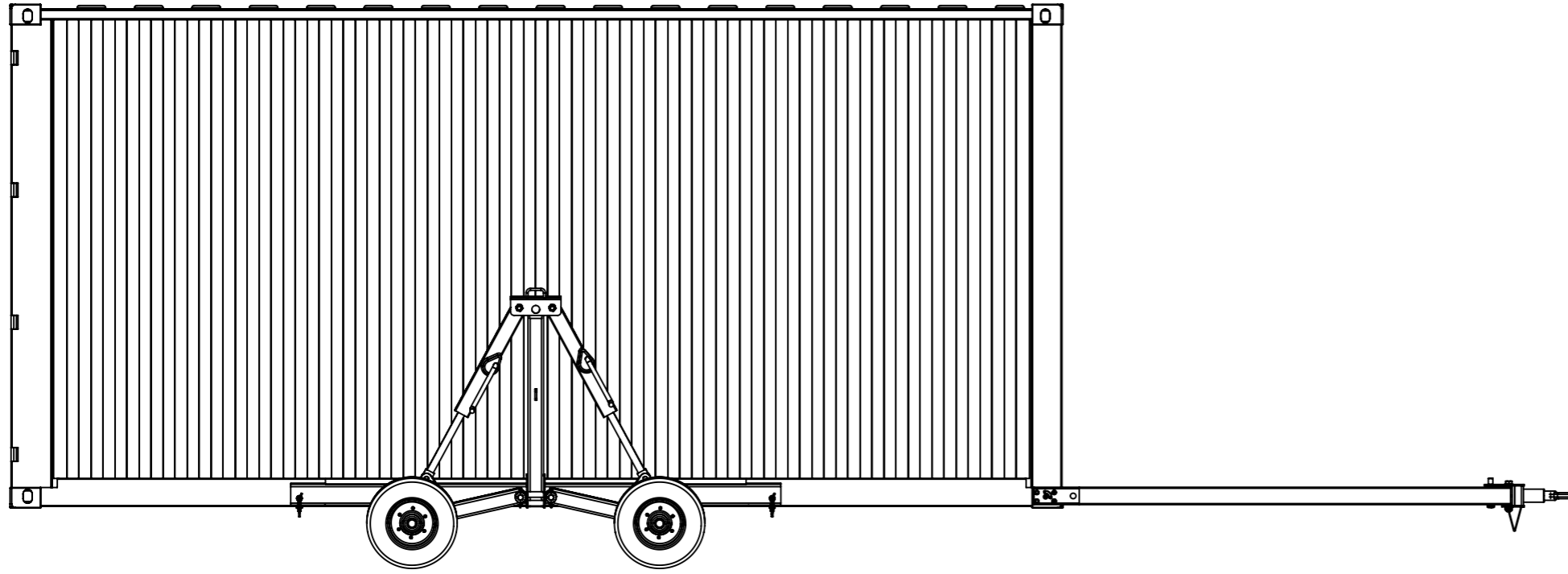


	SIGNATURE	DATE		
DRAWN				
CHECKED			DWG.NO <h1>50048-T</h1>	
ENG.APPR				
MFG.APPR			MATERIAL:	A3 A
Q.A				
DO NOT SCALE DRAWING			WEIGHT(KG): 1193.413	SCALE 1:100
			SHEET	OF

1 2 3 4 5 6 7 8

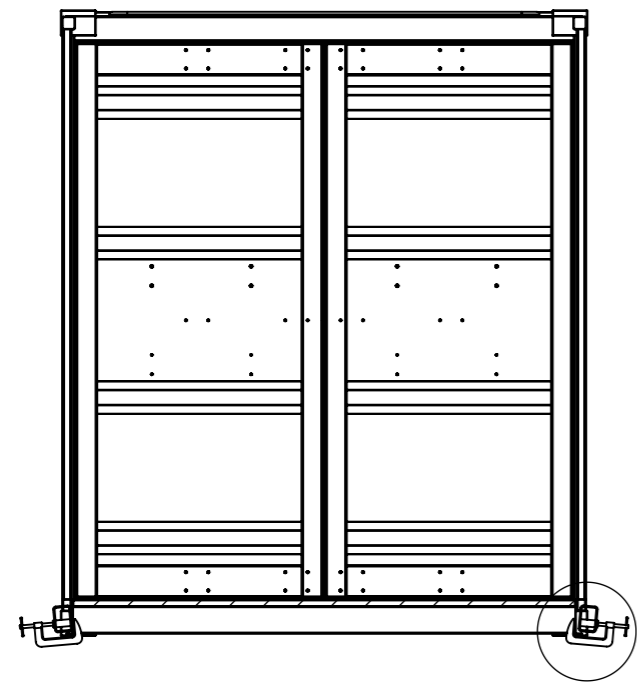
A
B
C
D
E
F

D

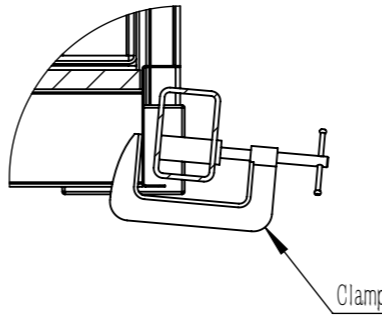



D

D-D
1 : 35



1
1 : 10



SIGNATURE		DATE			
DRAWN					
CHECKED					
ENG.APPR					
MFG.APPR				DWG.NO	
Q.A		MATERIAL:		<p style="font-size: 24pt; font-weight: bold;">50048-T</p>	
DO NOT SCALE DRAWING		WEIGHT(KG): 1193.413		SCALE 1:100	
				SHEET OF	

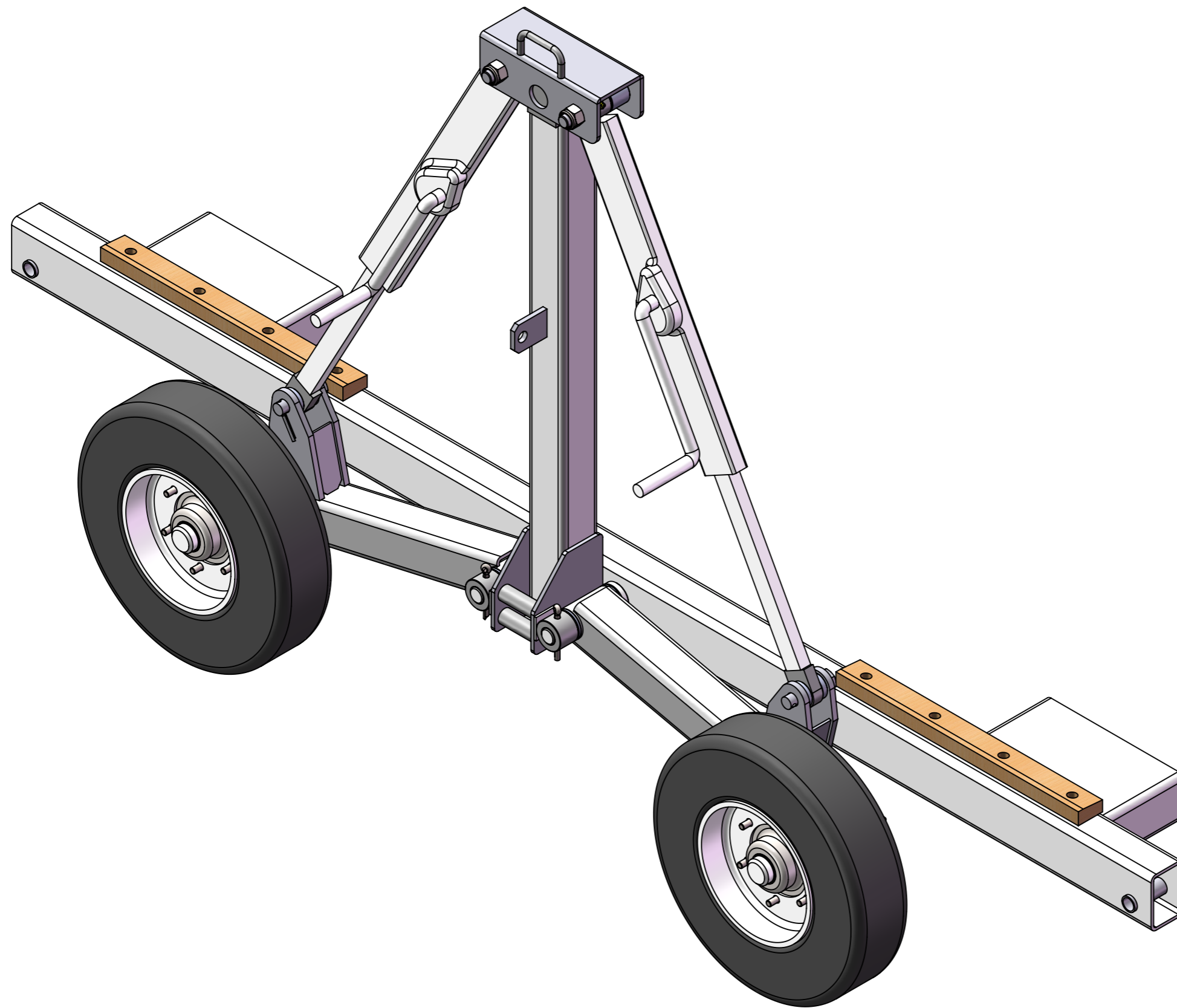
A
B
C
D
E
F

1 2 3 4 5

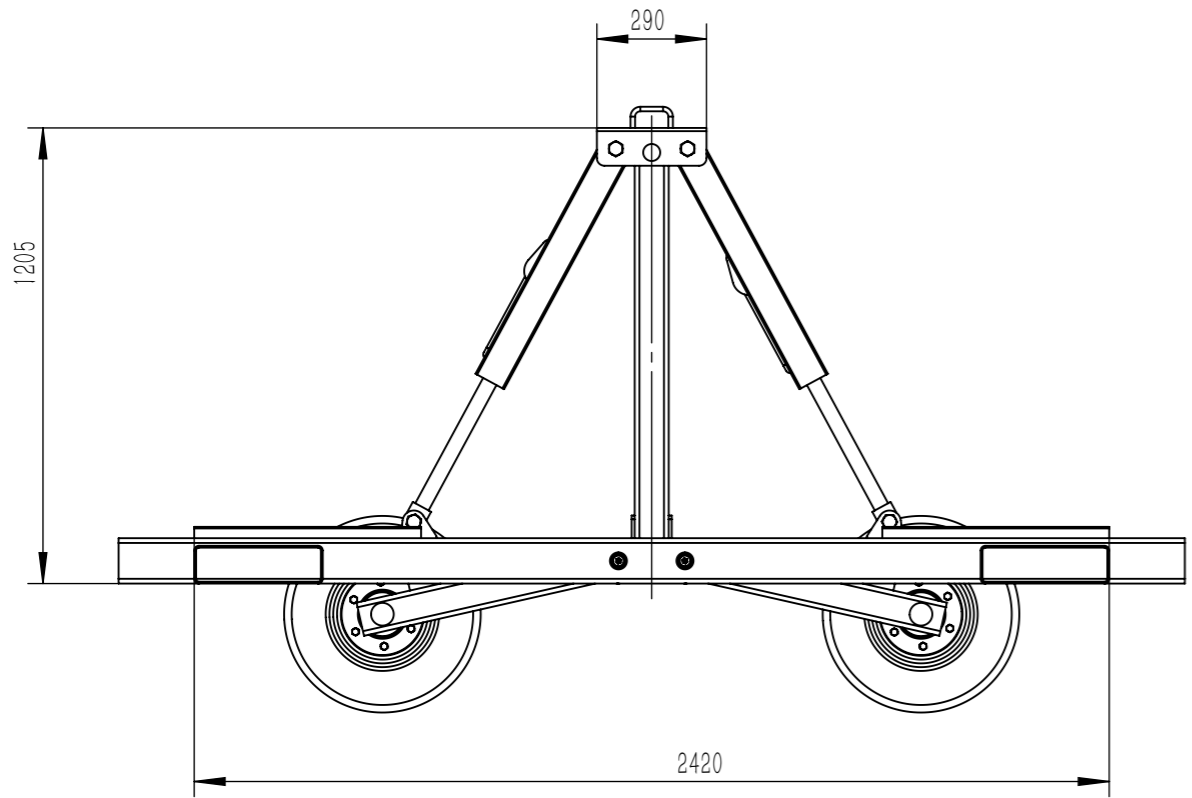
A3
B

Clamp

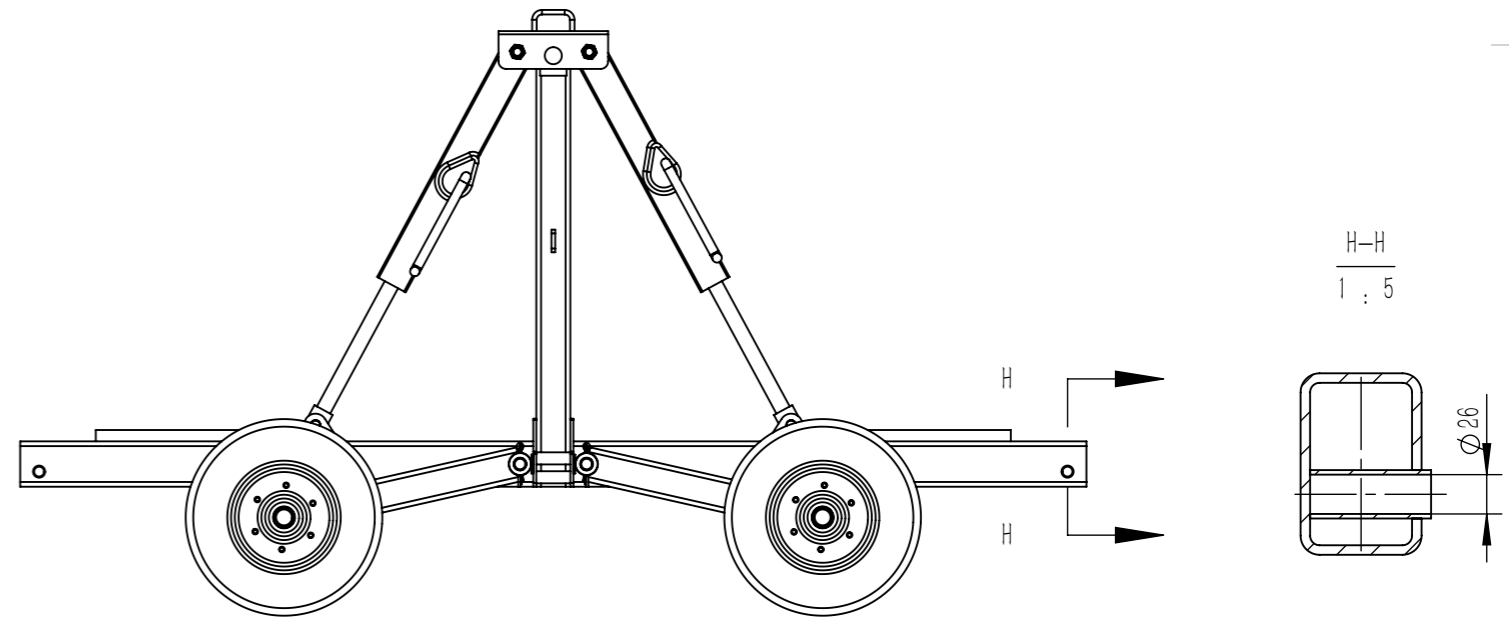
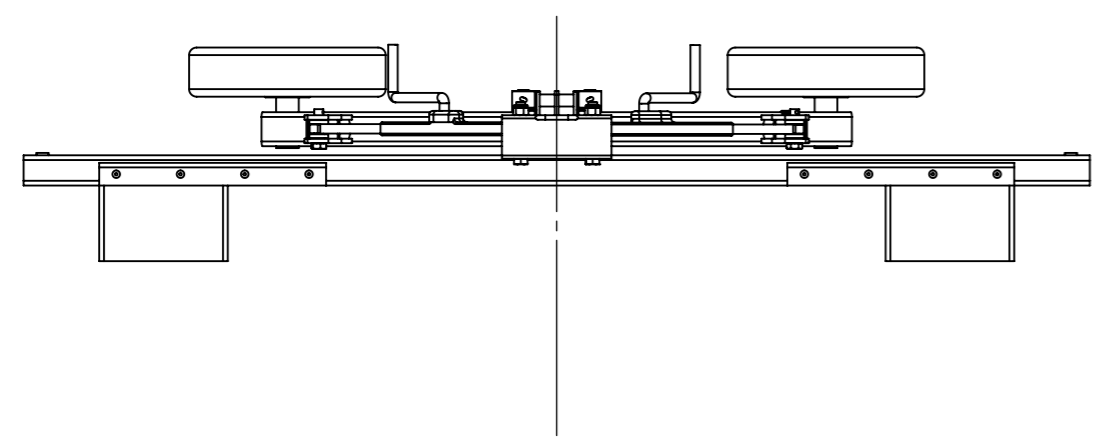
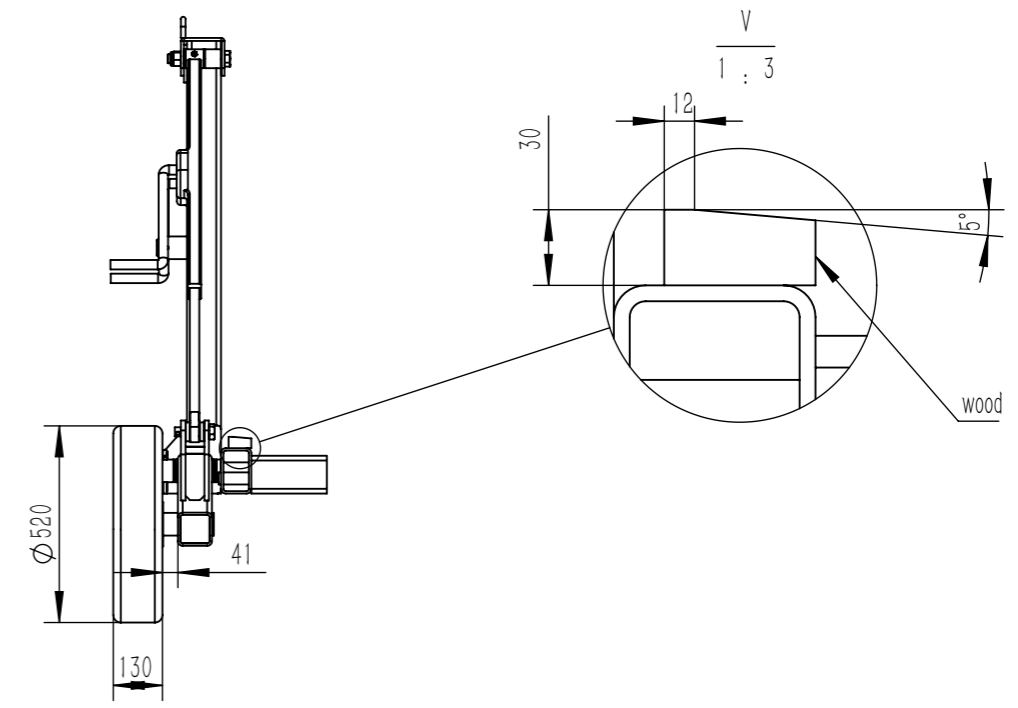





	SIGNATURE	DATE			
DRAWN					
CHECKED			Container lifting wheel		
ENG.APPR					
MFG.APPR			DWG.NO	50088	
Q.A			MATERIAL:		
				A3	
DO NOT SCALE DRAWING		WEIGHT(KG):	255 KG	SCALE 1:20	SHEET OF



VIEW: A



VIEW: A

	SIGNATURE	DATE	 Container lifting wheel			
DRAWN					DWG.NO	A3
CHECKED					50088	
ENG.APPR						
MFG.APPR						
Q.A			MATERIAL:			
DO NOT SCALE DRAWING			WEIGHT(KG): 255 KG	SCALE 1:20	SHEET OF	